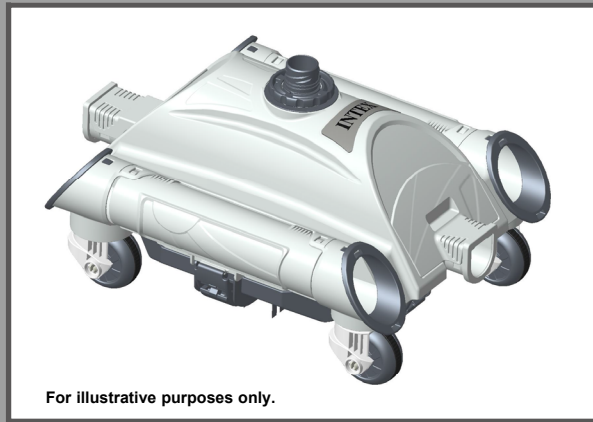


IMPORTANT SAFETY RULES

Read, understand, and follow
all instructions carefully before
installing and using this product.

Auto Cleaner



For illustrative purposes only.

Don't forget to try these other fine Intex products:
pools, pool accessories, inflatable pools and in-home
toys, airbeds and boats available at fine retailers or
visit our website.

Due to a policy of continuous product improvement,
Intex reserves the right to change specifications and
appearance, which may result in updates to the
instruction manual without notice.

OWNER'S MANUAL

INTEX®

©2021 Intex Marketing Ltd. - Intex Development Co. Ltd. - Intex Recreation Corp. All rights reserved/Tous droits réservés/Todos los derechos reservados/Alle Rechte vorbehalten. Printed in China/Imprimé en Chine/Impreso en China/Gedruckt in China.

®™ Trademarks used in some countries of the world under license from®™ Marques utilisées dans certains pays sous licence de/Marcas registradas utilizadas en algunos países del mundo bajo licencia de/Warenzeichen verwendet in einigen Ländern der Welt in Lizenz von/Intex Marketing Ltd. to/à/a/an Intex Development Co. Ltd., Hong Kong & Intex Recreation Corp., P.O. Box 1440, Long Beach, CA 90801 • Distributed in the European Union by/Distribué dans l'Union Européenne par/Distribuido en la unión Europea por/Vertrieb in der Europäischen Union durch/Intex Trading B.V., Venneveld 9, 4705 RR Roosendaal – The Netherlands
www.intexcorp.com

198-*A*-R1-2208

TABLE OF CONTENTS

Warnings.....	3
Parts Reference.....	4
Set Up Instructions.....	5-9
Debris Net Cleaning.....	10
Micro-screen Cleaning.....	11
Troubleshooting Guide.....	12-13
Long Term Storage.....	14
General Aquatic Safety.....	14

SAVE THESE INSTRUCTIONS

Page 2

IMPORTANT SAFETY RULES

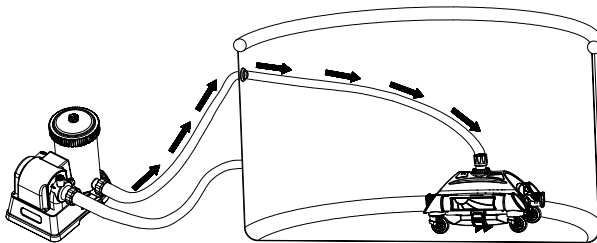
Read, Understand and Follow All Instructions Carefully Before Installing and Using this Product.

WARNING

- TO REDUCE THE RISK OF INJURY, DO NOT PERMIT CHILDREN TO USE THIS PRODUCT.
- REMOVE THE PRODUCT FROM THE POOL WHILE THE POOL IS OCCUPIED OR IN USE.
- TURN OFF OR UNPLUG THE FILTER PUMP BEFORE ADJUSTING, CLEANING OR SERVICING.
- REMOVE THE PRODUCT FROM THE POOL BEFORE PLACING A POOL COVER OVER THE POOL.
- STORE THE PRODUCT AND ACCESSORIES IN A DRY AND SAFE PLACE INDOORS.
- FOR POOL AND FILTER PUMP PROBLEMS REFER TO THEIR RESPECTIVE OWNER'S MANUAL FOR ADVICE.

FAILURE TO FOLLOW THESE WARNINGS MAY RESULT IN PROPERTY DAMAGE, SERIOUS INJURY OR DEATH.

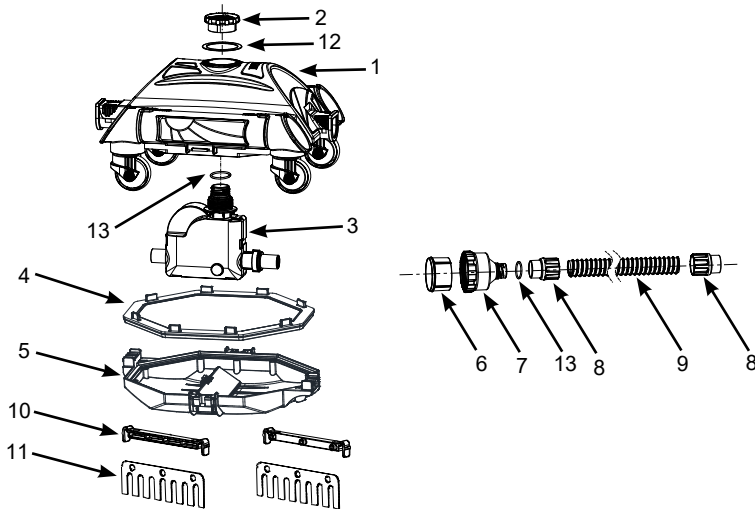
This Filter-Pump system is intended to be used only for the purposes described in the manual! Failure to follow all product, package and package insert safety and installation instructions could result in electric shock, entanglement, other serious injury or death.



SAVE THESE INSTRUCTIONS

PARTS REFERENCE

Before assembling your product, please take a few minutes to check the contents and become familiar with all the parts.



NOTE: Drawings for illustration purpose only. Actual product may vary. Not to scale.

REF. NO.	DESCRIPTION	QTY.	SPARE PARTS NO.
1	CLEANER TOP	1	12857
2	COLLAR NUT	1	11569
3	GEAR MODULE	1	12858
4	DEBRIS NET	1	13137
5	CLEANER BASE	1	13138
6	MICRO-SCREEN	1	12860
7	HOSE ADAPTOR	1	12859
8	HOSE COLLAR NUT	2	12863
9	HOSE	1	12862
10	BRUSH SUPPORT (WITH 2 EXTRA)	4	13136
11	BRUSH (WITH 10 EXTRA)	12	13135
12	EXHAUST RING PLATE	1	11752
13	CAP SEAL O-RING	2	12861

SAVE THESE INSTRUCTIONS

SETUP INSTRUCTIONS

IMPORTANT PREPARATION INFORMATION

Please read, understand, and follow all instructions carefully before installing and using this product.

General

- The Auto Cleaner must be connected to a filter pump with a flow rate between 1600 - 3500 gallons/hour (6056 - 13248 liters/hour).
- For Intex® above ground pools with 1-1/2" (38 mm) threaded strainer connector hose fitting.
- The cleaning performance depends on the filter pump flow rate, the higher the flow rate the better the performance.
- First assemble your filter pump and then set up the auto cleaner.
- If using a sand filter, ensure the sand media is clean by backwashing it first. Run the filter pump for 10-15 minutes before connecting the auto cleaner to the water return connector.
- The auto cleaner will not work if the filter pump is not operating.
- The auto cleaner is designed to clean the pool as follow:
 - The brushes from the auto cleaner remove the fine dirt from the floor.
 - The fine sediments and debris on the floor are agitated by the auto cleaner movement. This allows the filtration system to filter out the fine sediments suspended in the water, while the auto cleaner pick up the heavy debris on the floor.
 - The movement of the auto cleaner around the pool prevents the water from stagnating. Thus helping circulate the pool water through the filtration system.

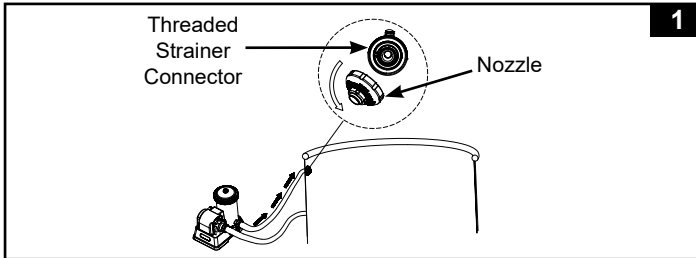
SAVE THESE INSTRUCTIONS

SETUP INSTRUCTIONS (continued)

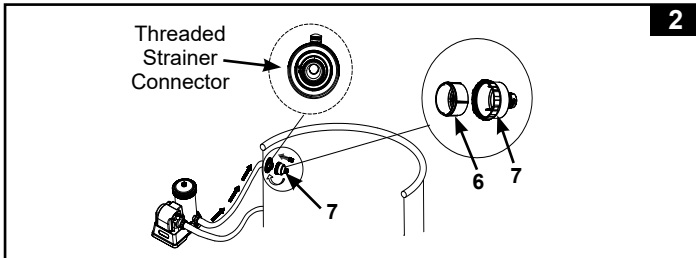
198A

Before setup, make sure that:

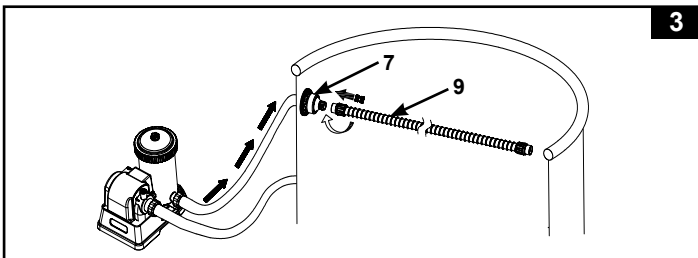
- The pool wall or floor are free from algae. Algae will cause the wheels to slip, block the flow of water into the cleaner and hinder the auto cleaner movement. Treat the pool water with algacide and wait for the algae to shed before using the auto cleaner. See your local pool supply specialist for algae treatment solutions. Check and clean the debris net more frequently.
1. Turn off the filter pump. From inside of the pool, unscrew the nozzle from the water return connector. See Fig. 1.



2. Make sure the micro-screen (6) is inside the hose adaptor (7), then screw the hose adaptor to the threaded strainer connector, from inside of the pool. See Fig. 2.



3. Screw the hose (9) with the hose collar nut (8) to the hose adaptor (7). See Fig. 3.



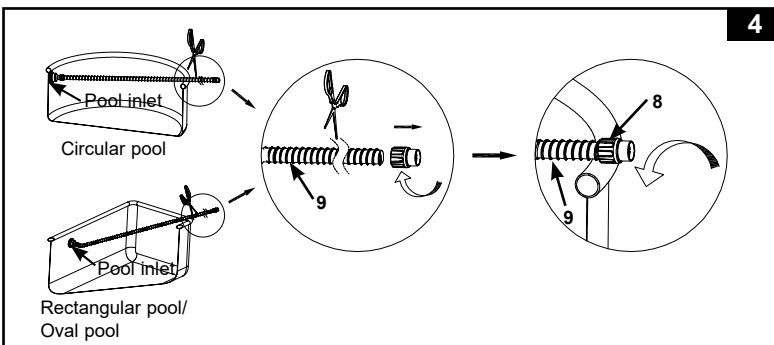
SAVE THESE INSTRUCTIONS

SETUP INSTRUCTIONS (continued)

4. Extend the hose (9) to the opposite side of the pool wall so that it overhangs the wall and cut the excess hose with a scissor, refer to below table and fig 4.

Note: Unscrew (clockwise direction) the hose collar nut (8) from the other end of the hose (9) before cutting the excess hose. Screw (counter-clockwise direction) the hose collar nut (8) back onto the main hose (9) after cutting.

Pool size		Recommend hose length (m)
INTEX ABOVE GROUND POOLS (AGP's)		
Circular	16' x 48" (488cmx122cm), 16' x 52" (488cmx132cm)	5.0
	18' x 48" (549cmx122cm), 18' x 52" (549cmx132cm)	5.5
	20' x 48" (610cmx122cm), 20' x 52" (610cmx132cm)	6.0
	24' x 52" (732cmx132cm), 26' x 52" (792cmx132cm)	6.5
Oval	16'6" x 9' x 48" (503cmx274cmx122cm)	4.0
	20' x 10' x 48" (610cmx305cmx122cm)	4.5
Rectangular	18' x 9' x 52" (549cmx274cmx132cm)	5.0
	24' x 12' x 52" (732cmx366cmx132cm)	6.0
	32' x 16' x 52" (975cmx488cmx132cm)	6.5

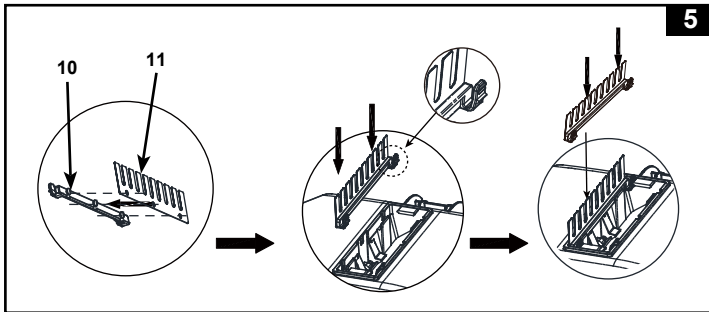


SAVE THESE INSTRUCTIONS

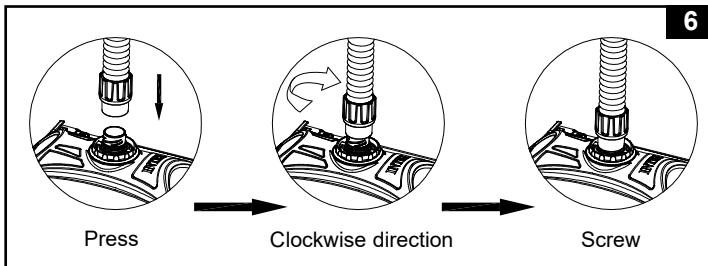
SETUP INSTRUCTIONS (continued)

5. Brush assembly. See Fig. 5.

NOTE: Remove the brushes from underneath the device when vacuuming large debris or leaves on the pool floor.



6. From outside of the pool, connect the end of hose with the hose collar nut (8) to the auto pool cleaner inlet. Vertically insert the hose collar nut (8) into the inlet opening, while pushing down the hose collar nut, turn the inlet rim clockwise to tighten the hose. To remove the hose, turn the inlet rim counter-clockwise. See Fig. 6.

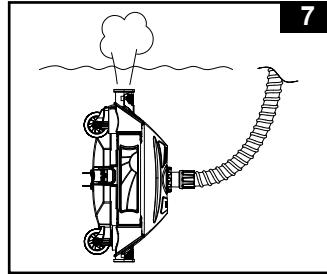


SAVE THESE INSTRUCTIONS

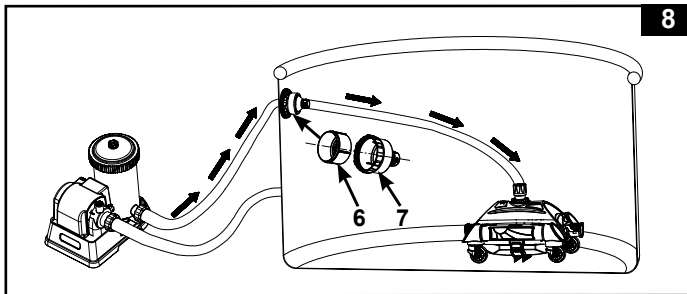
SETUP INSTRUCTIONS (continued)

198A

7. Hold the auto cleaner upside down below the water surface to jet out the water. See Fig. 7. This will evacuate all the air in the hose and auto cleaner, so the cleaner will sink to the bottom of the pool floor. Stretch out the hose by slowly pulling the auto cleaner across the pool to the opposite side. Make sure the hose is stretched out in order to prevent any entanglement.



8. Turn on the filter pump and make sure water is flowing through the micro-screen (6) and the hose adaptor (7). The auto cleaner is now moving and vacuuming the pool floor. See Fig. 8.
- Note:** The cartridge filter pump and sand filter pump will clean the pool water. It's essential to clean or replace the filter cartridge or backwash sand media frequently to keep the water clean. If the Auto Cleaner is paired up with a sand filter pump, the system flow will diminish and the pressure will rise as indicated by the sand filter pump pressure gauge reading (from green to yellow zone), this is normal. Disconnect the Auto Cleaner from the pool and check if the sand filter pressure gauge reading will drop back to the green zone. Refer to the sand filter pump manual for more details.



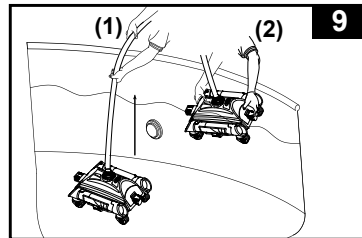
IMPORTANT NOTE

If the auto cleaner starts to stir the debris, sediments on the pool floor, you will require to clean or replace the filter cartridge more frequently as the fine sediments are retained by the cartridge.

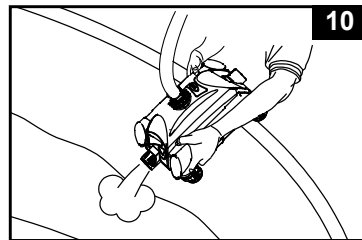
SAVE THESE INSTRUCTIONS

DEBRIS NET CLEANING

1. Make sure the filter pump is turned off, and disconnect the power cord from the electrical outlet.

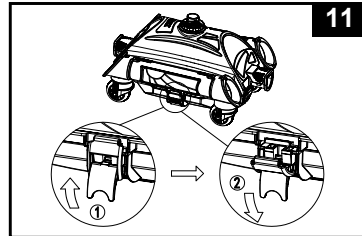


2. Lift the auto cleaner's hose slowly then hold the auto cleaner up with both hands. See Fig. 9.
CAUTION: Do not pull the hose directly which could damage the auto cleaner hose connection fitting.

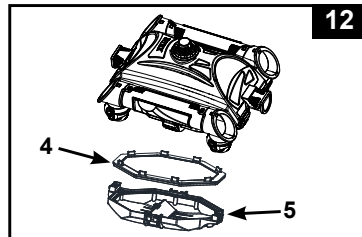


3. Grasp the cleaner base with two hands, lift the auto cleaner up slowly with an angle (either head or tail up). See Fig.10. After the water has been fully released from the auto cleaner, carry the auto cleaner out of the pool and put it on the ground.

4. Unlock the four buckles located on the four sides. See Fig. 11.



5. Remove the debris net (4) from the cleaner base (5). If debris is on the debris net and cleaner base, use garden hose to flush the debris off. See Fig. 12.

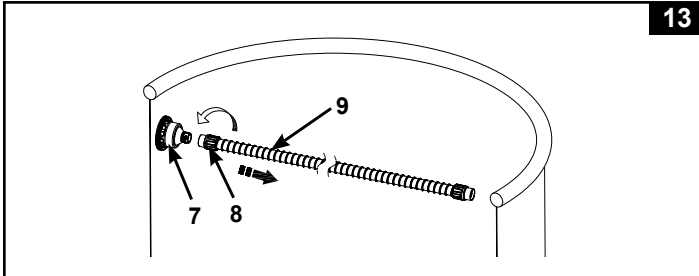


6. Reassemble auto cleaner reversing steps 1, 2, 3, 4 and 5.

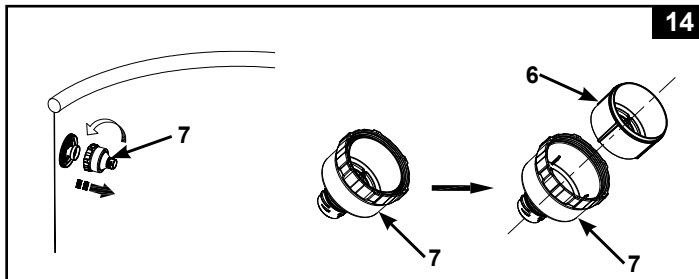
SAVE THESE INSTRUCTIONS

MICRO-SCREEN CLEANING

1. Make sure the filter pump is turned off, and disconnect the power cord from the electrical outlet.
2. To remove the hose, unscrew (counter-clockwise direction) the hose collar nut (8) from the hose adaptor (7). See Fig. 13.



3. Unscrew (counter-clockwise direction) the hose adaptor (7) from the threaded strainer connector. Remove the micro-screen (6) from the hose adaptor. Use a garden hose to clean and flush out any debris from the micro-screen and hose adaptor. See Fig. 14.



4. Reassemble all the components back by reversing previous steps.

SAVE THESE INSTRUCTIONS

TROUBLESHOOTING GUIDE

TROUBLE	SOLUTION
<p>AUTO CLEANER DOESN'T MOVE</p>	<ul style="list-style-type: none"> • Ensure the filter pump is operating. Lift the auto cleaner out of the water and check if water is flowing out from either end of the device. • Tighten hose and hose collar nut securely, and connect the hose to the water return connector, see "Setup" section. If you are not sure which return connector is, try connecting the auto cleaner to each pool outlet until water is flowing out of either end of the device. • Lift the auto cleaner out of the wrinkled area, and make sure the pool floor is as smooth as possible. • Contact Intex Service Center.
<p>MOVEMENT IS VERY SLOW</p>	<ul style="list-style-type: none"> • Check and clean the debris net and micro-screen. • Clean or replace the filter pump cartridge. • If using a sand filter, ensure the sand media is clean by backwashing it. See sand filter owner's manual. • If you are still not satisfied with the speed, a higher flow rate filter pump is recommended.
<p>LIFTS OFF FROM THE POOL FLOOR</p>	<ul style="list-style-type: none"> • Release the air from the auto cleaner by following the "Setup" instructions. • Pool water too dirty. Ensure the pool water chemistry is balanced. If the pool water is green, brown or black, adjust the chlorine and pH level. See pool owner's manual. • Check if the pump flow rate is within the specified range, if the flow rate is more than 3500 gal/h, change pump with lower flow rate.
<p>CAN NOT PICK UP THE LEAVES ON POOL FLOOR</p>	<ul style="list-style-type: none"> • Remove the brushes from the underside and put the Auto Cleaner back into the pool, see "Setup" section. • Clean all the debris from the Auto Cleaner after operating for 2-3 hours continuously.

SAVE THESE INSTRUCTIONS

TROUBLESHOOTING GUIDE (continued)

TROUBLE	SOLUTION
HOSE IS ENTANGLED	<ul style="list-style-type: none"> • If the hose is coiled in a circle, it will not affect the auto cleaner movement around the pool. This is normal. • However, if the hose is entangled or twisted, this will hinder the auto cleaner movement. Stretch out the hose by slowly pulling the auto cleaner across the pool to the opposite side. Make sure the hose is stretched out before operating the auto cleaner.
SEDIMENTS ARE STIRRED UP FROM THE POOL FLOOR	<ul style="list-style-type: none"> • As the auto cleaner move around, fine sediments on the pool floor will be stirred up causing the water to be cloudy. This is normal. • Run the filtration system and the auto cleaner longer. The filtration system will filter out the fine sediments suspended in the water, while the auto cleaner will pick up the heavy debris on the floor. Check and clean the filtration media and the debris net more frequently.
DEBRIS NET IS CLOGGED AND AUTO CLEANER IS SHUT OFF	<ul style="list-style-type: none"> • Present of algae in the pool. Treat the pool water with algaecide and wait for the algae to shed before using the auto cleaner. See your local pool supply specialist for algae treatment solutions. Check and clean the debris net more frequently. • Maintain proper pool water chemistry, see pool owner's manual for more details.

IMPORTANT

If you continue to experience difficulty, please contact our Consumer Service Department for assistance. See separate "Authorized Service Centers" sheet.

SAVE THESE INSTRUCTIONS

LONG TERM STORAGE

1. Make sure the filter pump is turned off, and disconnect the power cord from the electrical outlet.
2. Using the Set Up instructions in reverse, disassemble the auto cleaner.
3. Clean and air dry all the accessories and parts thoroughly.
4. Loosely roll up and avoid twisting the hose during storage. Do not put heavy objects on top of the hose.
5. Remove the brushes and keep them flat and straight during storage.
6. The original packaging can be used for storage. Store in a dry, cool storage location.

GENERAL AQUATIC SAFETY

Water recreation is both fun and therapeutic. However, it involves inherent risks of injury and death. To reduce your risk of injury, read and follow all product, package and package insert warnings and instructions. Remember, however, that product warnings, instructions and safety guidelines cover some common risks of water recreation, but do not cover all risks and or dangers.

For additional safeguards, also familiarize yourself with the following general guidelines as well as guidelines provided by nationally recognized Safety Organizations:

- Demand constant supervision. A competent adult should be appointed as a "lifeguard" or water watcher, especially when children are in and around the pool.
- Learn to swim.
- Take the time to learn CPR and first aid.
- Instruct anyone who is supervising pool users about potential pool hazards and about the use of protective devices such as locked doors, barriers, etc.
- Instruct all pool users, including children what to do in case of an emergency.
- Always use common sense and good judgement when enjoying any water activity.
- Supervise, supervise, supervise.

SAVE THESE INSTRUCTIONS